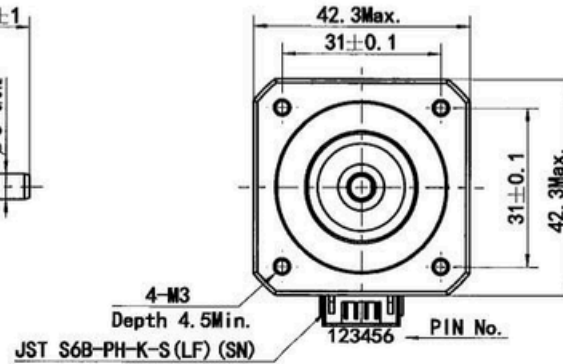
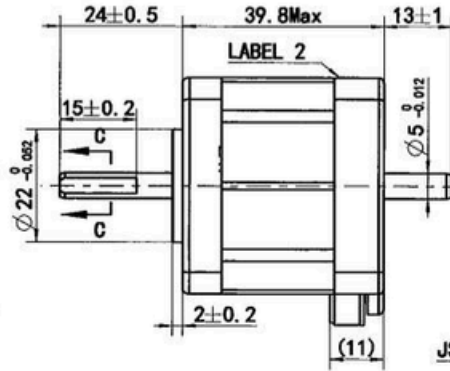
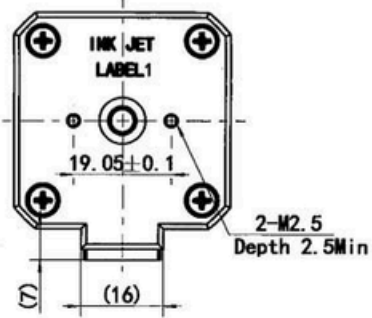
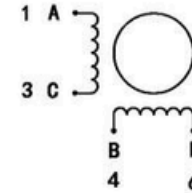


MS17HD2P4040-M



Wiring Diagram



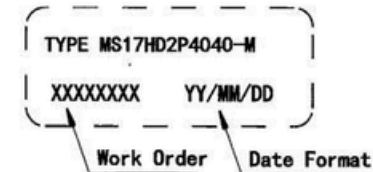
Exciting Sequence vs. Direction of Rotation

STEP	A	B	C	D	CCW
1	+	+	-	-	↑
2	-	+	+	-	
3	-	-	+	+	
4	+	-	-	+	

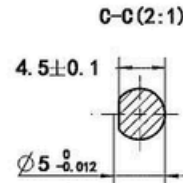
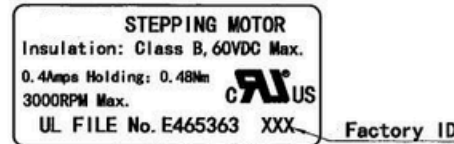
↓ CW

Clockwise view from mounting side

Label 1 Detail



Label 2 Detail



Specification	
1. Number of Phase	2
2. Step Angle	1.8°
3. Rated Voltage	9.6 V DC
4. Rated Current	0.4 Amp
5. Holding Torque	0.48 Nm Typ. (Two phase on/rated current)
6. Phase Resistance	24 ohm ±10% (20°C)
7. Phase Inductance	56 mH ±20% (1kHz 1V rms)
8. Rotor Inertia	57 gcm <sup>2</sup>
9. Motor Weight	0.28 kg
10. Insulation Class	B (130°C)

			Unit:mm							
			First angle method							
			Tolerances for linear and angular dimensions without individual tolerance indications GB/T 1804-m eqv ISO 2768-1:m							
			Geometrical tolerance for features without individual tolerance indications GB/T 1184-K eqv ISO 2768-2:K							
A1	ECR23-317	2023.03.24								
A0	Original revision	2017.09.19								
REV.	REVISION RECORD	DATE	UNLESS OTHERWISE SPECIFIED	NAMES	SIGNATURE	DATE	Drawing No: 4611110027535	Rev. A1	SCALE: 1:1	Sheet 1 of 1

**PIVEXIN**  
**TECHNOLOGY**